

DESCRIPTION

AMC MODEL SWN-1170-3DT OPTION: HPX IS A SINGLE POLE THREE THROW, NON-REFLECTIVE/ABSORPTIVE SWITCH MODULE WITH VERY LOW VIDEO TRANSIENTS, ULTRA HIGH SPEED, HIGH ISOLATION, HP DIODES, AND WITH AN XOR GATE DRIVER, DESIGNED FOR 0.5 TO 18 GHz OPERATION.

SPECIFICATIONS

- FREQUENCY RANGE: 0.5 TO 18 GHz
- INSERTION LOSS: 3.75 dB MAXIMUM
- ISOLATION: 0.5 GHz TO 2 GHz: 60 dB MINIMUM
2 GHz TO 18 GHz: 70 dB MINIMUM
- VSWR: 2.0:1
- RISE TIME: 10 nSec TYPICAL, 15 nSec MAXIMUM
- FALL TIME: 10 nSec TYPICAL, 15 nSec MAXIMUM
- DELAY ON: 75 nSec TYPICAL, 100 nSec MAXIMUM
- DELAY OFF: 75 nSec TYPICAL, 100 nSec MAXIMUM
- POWER INPUT: (CW)+20 dBm
- SURVIVAL POWER: 1 WATT CW, 10 WATTS PEAK 1 uSec
- CONTROL: TTL LOGIC "0" = ON
..... TTL LOGIC "1" = OFF
- POWER SUPPLY: +5V @ 150 mA MAXIMUM
..... -5V @ 100 mA MAXIMUM
- CONNECTORS:
RF: SMA FEMALE
CONTROL: SOLDER PIN
- SIZE: 1.25" (L) x 1.25" (W) x 0.70" (H)
- WEIGHT: < 2 OUNCE TYPICAL

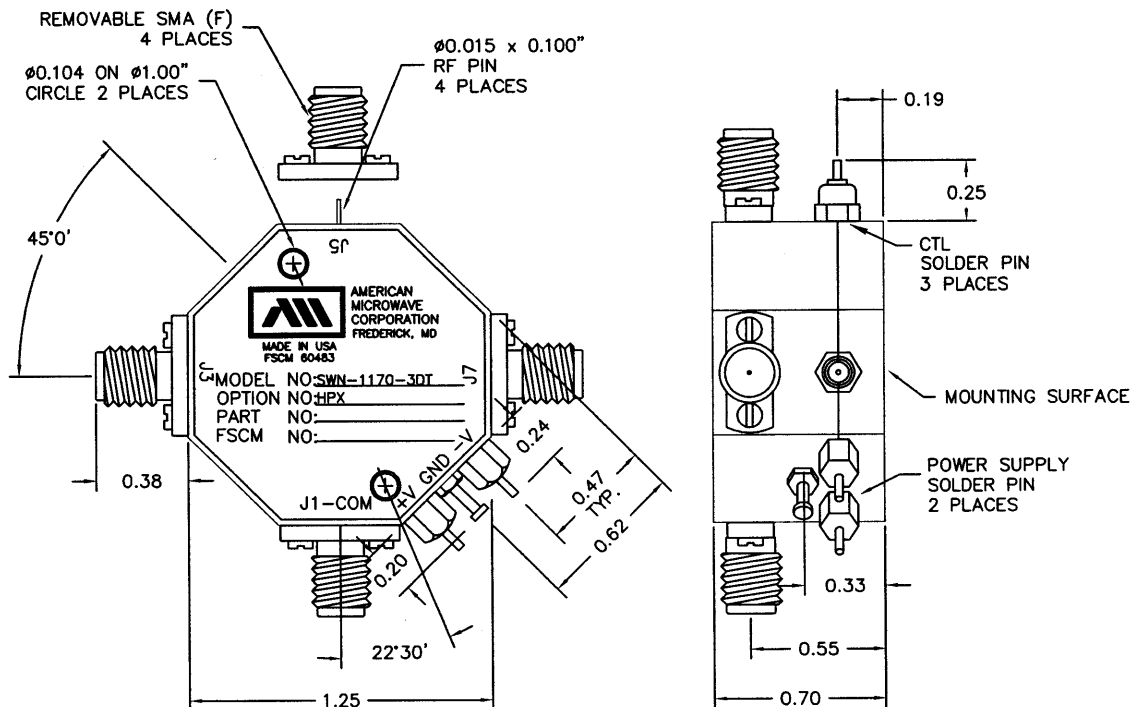
SPECIFICATIONS

- HPX: HP DIODES AND XOR GATE DRIVER

ENVIRONMENTAL RATINGS

- TEMPERATURE: -55°C TO +85°C (OPERATING)
..... -65°C TO +125°C (STORAGE)
- HUMIDITY: MIL-STD-202F, METHOD 103B COND. B
- SHOCK: MIL-STD-202F, METHOD 213B COND. B
- VIBRATION: MIL-STD-202F, METHOD 204D COND. B
- ALTITUDE: MIL-STD-202F, METHOD 105C COND. B
- TEMPERATURE CYCLE: MIL-STD-202F, METHOD 107D COND. A

NOTE: SPECIFICATIONS WILL VARY OVER OPERATING TEMPERATURE
NOTE: THE ABOVE SPECIFICATIONS ARE SUBJECT TO CHANGE OR REVISION



ALL DIMENSIONS ARE IN INCHES
TOLERANCES:
X.XX ±0.020
X.XXX ±0.010

REVISIONS				
ZONE	REV.	DESCRIPTION	DATE	APPROVED
	-	ORIGINAL RELEASE JOB# 411279	12/17/04	

AMERICAN MICROWAVE CORPORATION

7311-G GROVE ROAD
FREDERICK, MARYLAND 21704 USA
TEL: 301-662-4700 FAX: 301-662-4938
WEBSITE: www.americanmicrowavecorp.com
E-MAIL: sales@americanmicrowavecorp.com
ISO 9001:2000 CERTIFIED

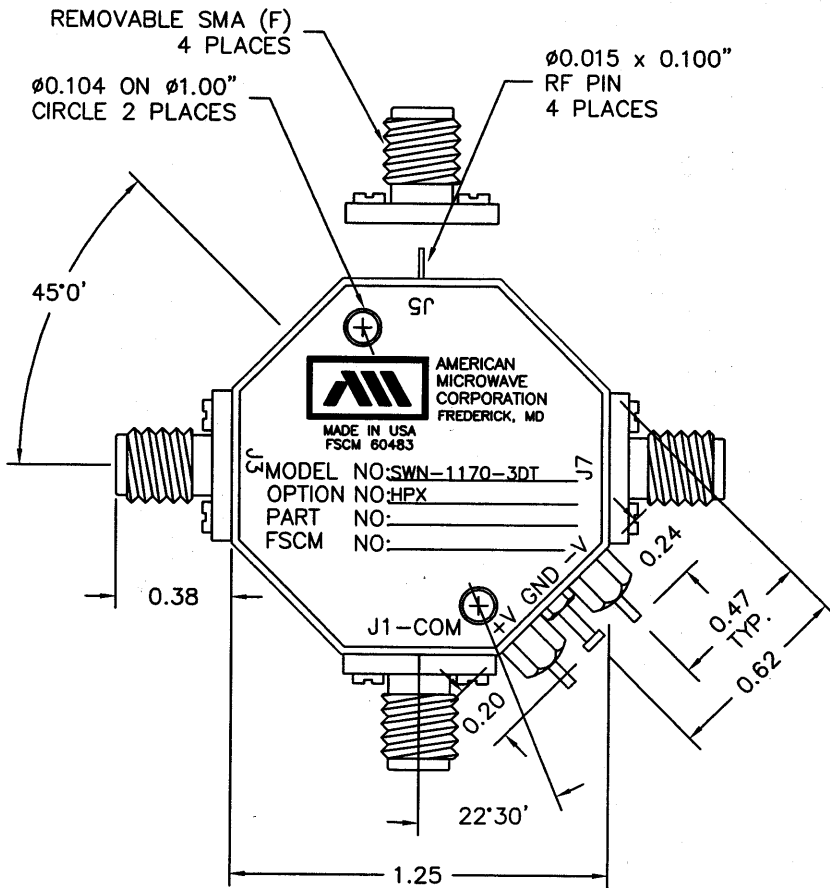


APPROVALS		DATE	TITLE			REV.
DRAWN <i>JKM</i>		12/17/04	PRODUCT FEATURE SWN-1170-3DT OPTION: HPX 0.5 - 18 GHz SP3T PIN DIODE SWITCH			
CHECKED <i>[Signature]</i>	1/19/05	SIZE A	FSCM NO. 60483	DWG NO. 100-7240		
ISSUED		SCALE N:S		SHEET 1 OF 3		

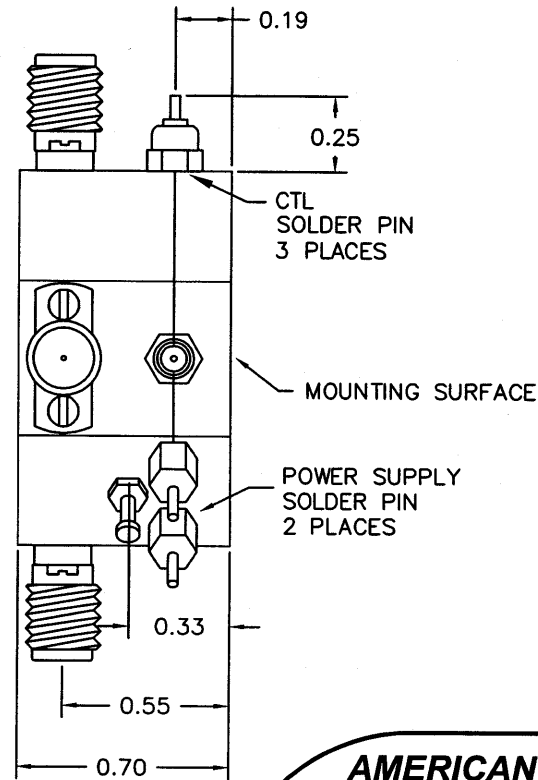
DESCRIPTION

AMC MODEL SWN-1170-3DT OPTION: HPX IS A SINGLE POLE THREE THROW, NON-REFLECTIVE/ABSORPTIVE SWITCH MODULE WITH VERY LOW VIDEO TRANSIENTS, ULTRA HIGH SPEED, HIGH ISOLATION, HP DIODES, AND WITH AN XOR GATE DRIVER, DESIGNED FOR 0.5 TO 18 GHz OPERATION.

REVISIONS				
ZONE	REV.	DESCRIPTION	DATE	APPROVED
	-	ORIGINAL RELEASE JOB# 411279	12/17/04	



MECHANICAL OUTLINE



AMERICAN MICROWAVE CORPORATION

7311-G GROVE ROAD
FREDERICK, MARYLAND 21704 USA
TEL: 301-662-4700 FAX: 301-662-4938
WEBSITE: www.americanmicrowavecorp.com
E-MAIL: sales@americanmicrowavecorp.com
ISO 9001:2000 CERTIFIED



ALL DIMENSIONS ARE IN INCHES
TOLERANCES:
X.XX ±0.020
X.XXX ±0.010

APPROVALS		DATE	TITLE			REV.
DRAWN <i>JCM</i>		12/17/04	MECHANICAL OUTLINE SWN-1170-3DT OPTION: HPX 0.5 - 18 GHz SP3T PIN DIODE SWITCH			-
CHECKED <i>LA</i>		1/19/06	SIZE A	FSCM NO. 60483	DWG NO. 100-7240	-
ISSUED			SCALE N:S		SHEET 2 OF 3	